

**SPECIFICATION**

Range: **DIVIDO**

Design: **Caimi Lab**

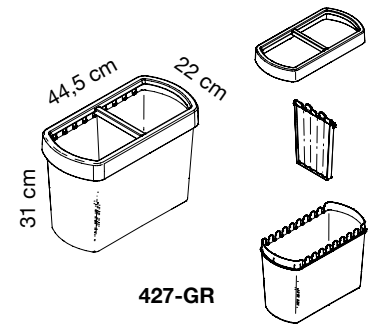
Codes: 427-GR, 429

Code: **427-GR**

Dimension: height 31 cm, length 44,5 cm, depth 22 cm

Description: recycling bin made entirely from grey high-tech polymer consisting of a bin, an internal partition and a ring at the top with a little crossbar to hold the liner. The upper rim of the basket has a notch that allows you to insert one or more interlocking internal partitions; the top ring that holds the bin liner in place can be fitted with one or more interlocking crossbars in line with the internal partitions. The partitions and bin liner holders can be slotted inside in 9 different positions to create sections according to capacity requirements. The special notches on the waste bin and internal partitions makes the fitting of bin liners so quick and simple; moreover, the particular wavy shape of the partition reduces the contact surface with wet bin liners making removal and maintenance work much easier.

Accessories: adhesive labels code 429



427-GR



427-GR



427-GR



427-GR

Code: **429**

Description: set of 6 die-cut PVC adhesive labels in 6 different colours (brown, red, green, yellow, blue and grey) for a total of 36 labels for separate collection of waste applicable to the Divido containers.



429



Example of use for labels code 429