

**SPECIFICATION**

Range: **PRISMA**

Design: **Sezgin Aksu, Silvia Suardi**

Codes: **217-I, 215-I, 213-I, 227-I, 225-I, 223-I, 247-I, 245-I, 237-I, 235-I, 255-I, 265-I, 277-I, 275-I, 273-I**

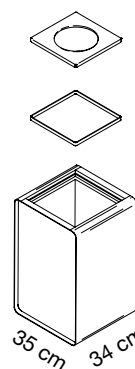
Codes: **217-I / 215-I / 213-I**

Dimension: height 35/50/70 cm, length 34 cm, depth 35 cm

Description: wastepaper basket with drum made from 0.8 mm thick satin finish stainless steel with reinforced fully-rounded accident-proof double-thickness edges projecting by 10 mm from the unit; these side edges hide any connection couplings from view (code 201-I). Both the front upper and lower edges are rounded and accident-proof with a 20 mm radius. There is a removable soft elastomer basin at the bottom of the bin, which also has the function of absorbing impact inside the container and reduce noise during use and cleaning.

At the top of the drum there is a removable cover made in satin finish stainless steel L 240 mm D 240 mm with a 180 mm diameter central deep-drawn hole. It is fitted with a removable stainless steel bin liner holder.

Accessories: code 379, 201-I and 236



**217-I**  
H. 70 cm  
**215-I**  
H. 50 cm  
**213-I**  
H. 35 cm



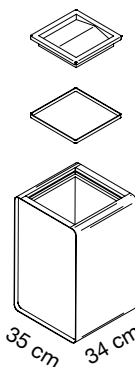
Codes: **227-I / 225-I / 223-I**

Dimension: height 35/50/70 cm, length 34 cm, depth 35 cm

Description: wastepaper basket with drum made from 0.8 mm thick satin finish stainless steel with reinforced fully-rounded accident-proof double-thickness edges projecting by 10 mm from the unit; these side edges hide any connection couplings from view (code 201-I). Both the front upper and lower edges are rounded and accident-proof with a 20 mm radius. There is a removable soft elastomer basin at the bottom of the bin, which also has the function of absorbing impact inside the container and reduce noise during use and cleaning.

At the top of the drum there is a moving flap L 240 mm D 240 mm mounted on a frame, both made in satin finish stainless steel. It is fitted with a removable stainless steel bin liner holder.

Accessories: codes 379, 201-I and 236



**227-I**  
H. 70 cm  
**225-I**  
H. 50 cm  
**223-I**  
H. 35 cm



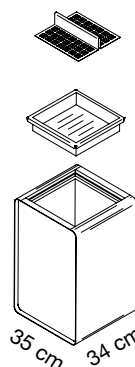
Codes: **237-I / 235-I**

Dimension: height 50/70 cm, length 34 cm, depth 35 cm

Description: ashtray with drum made from 0.8 mm thick satin finish stainless steel with reinforced fully-rounded accident-proof double-thickness edges projecting by 10 mm from the unit; these side edges hide any connection couplings from view (code 201-I). Both the front upper and lower edges are rounded and accident-proof with a 20 mm radius. There is a removable soft elastomer basin at the bottom of the bin, which also has the function of absorbing impact inside the container and reduce noise during use and cleaning.

At the top of the drum there is a removable ashtray to hold sand, measuring L 240 mm x D 240 mm x H 60 mm made from satin finish stainless steel, with a removable satin finish stainless steel sifter with oval holes.

Accessories: codes 379, 201-I and 236



**237-I**  
H. 70 cm  
**235-I**  
H. 50 cm



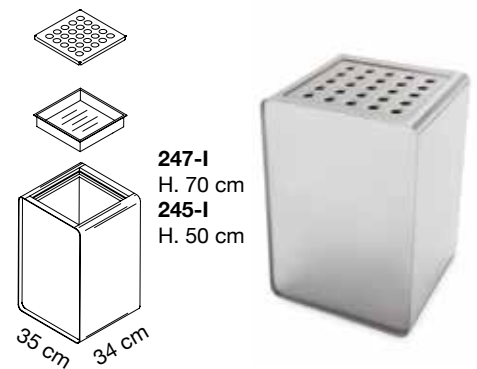
Codes: **247-I / 245-I**

Dimension: height 50/70 cm, length 34 cm, depth 35 cm

Description: ashtray with drum made from 0.8 mm thick satin finish stainless steel with reinforced fully-rounded accident-proof double-thickness edges projecting by 10 mm from the unit; these side edges hide any connection couplings from view (code 201-I). Both the front upper and lower edges are rounded and accident-proof with a 20 mm radius. There is a removable soft elastomer basin at the bottom of the bin, which also has the function of absorbing impact inside the container and reduce noise during use and cleaning.

At the top of the drum there is a removable ashtray, measuring L 240 mm x D 240 mm x H 40 mm made from satin finish stainless steel, with a removable satin finish stainless steel lid with a 22 mm diameter deep-drawn holes.

Accessories: code 201-I



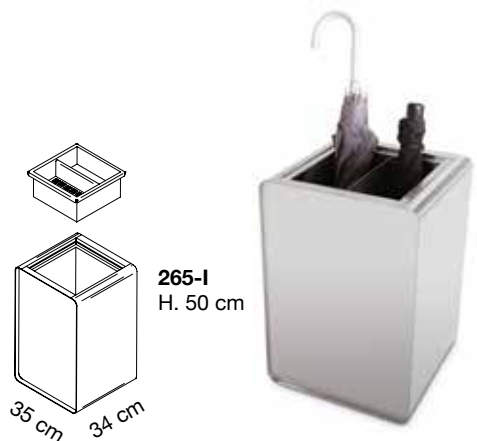
Codes: **265-I**

Dimension: height 50 cm, length 34 cm, depth 35 cm

Description: umbrella stand with drum made from 0.8 mm thick satin finish stainless steel with reinforced fully-rounded accident-proof double-thickness edges projecting by 10 mm from the unit; these side edges hide any connection couplings from view (code 201-I). Both the front upper and lower edges are rounded and accident-proof with a 20 mm radius. There is a removable soft elastomer basin at the bottom of the bin, which also has the function of absorbing impact inside the container and reduce noise during use and cleaning.

At the top of the drum there is an umbrella ring - L 240 mm D 240 mm, - equipped with a safety catch to prevent accidental removal, made in satin finish stainless steel complete with a rectangular compartment perforated at the bottom to accommodate folding umbrellas, measuring L 120 mm D 240 mm H 100 mm.

Accessories: code 201-I



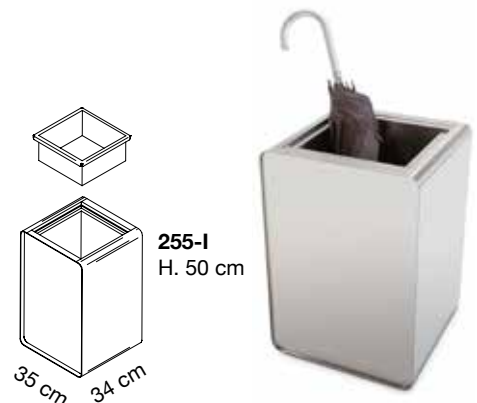
Codes: **255-I**

Dimension: height 50 cm, length 34 cm, depth 35 cm

Description: umbrella stand with drum made from 0.8 mm thick satin finish stainless steel with reinforced fully-rounded accident-proof double-thickness edges projecting by 10 mm from the unit; these side edges hide any connection couplings from view (code 201-I). Both the front upper and lower edges are rounded and accident-proof with a 20 mm radius. There is a removable soft elastomer basin at the bottom of the bin, which also has the function of absorbing impact inside the container and reduce noise during use and cleaning.

At the top of the drum there is an umbrella ring - L 240 mm D 240 mm, - equipped with a safety catch to prevent accidental removal, made in satin finish stainless steel.

Accessories: code 201-I



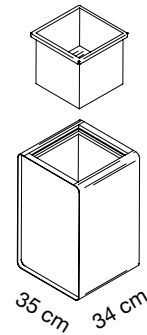
Codes: **277-I / 275-I / 273-I**

Dimension: height 35/50/70 cm, length 34 cm, depth 35 cm

Description: flower box with drum made from 0.8 mm thick satin finish stainless steel with reinforced fully-rounded accident-proof double-thickness edges projecting by 10 mm from the unit; these side edges hide any connection couplings from view (code 201-I). Both the front upper and lower edges are rounded and accident-proof with a 20 mm radius. There is a removable soft elastomer basin at the bottom of the bin, which also has the function of absorbing impact inside the container and reduce noise during use and cleaning.

At the top of the drum there is compartment to house the removable plant holder, measuring L 240 mm x D 240 mm made from airtight welded satin finish stainless steel.

Accessories: code 201-I



**277-I**  
H. 70 cm  
**275-I**  
H. 50 cm  
**273-I**  
H. 35 cm



Code: **379**

Dimension: each symbol 3,8 x 3,8 cm

Description: set of 6 sheets of adhesive labels, each consisting of 9 different symbols for separate waste collection. These labels can be used to customise the PRISMA containers.



Example of use  
for labels



379

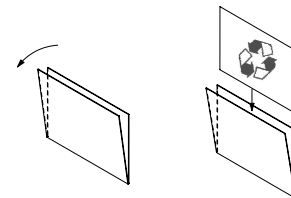
Code: **236**

Format A6O

Description: methacrylate display pocket applicable to the MAXI containers using double-sided adhesive tape.



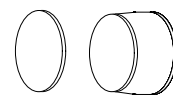
Example of use for  
display pockets



236

Code: **201-I**

Description: the drums can be connected in line to one another, to form ecological islands or furnishing elements, using an aluminium coupling fitting and Velcro tape that allows you to maintain correct alignment and achieve quick connecting and disconnecting of the containers, making the cleaning easier.



201-I



Examples of connection for Prisma bins using joints code 201-I