

## SPECIFICATION

Range: **IN**  
Design: **Caimi Lab**

“Snowsound Technology” sound absorbing element suitable for insertion in existing frame false ceilings.

Panel description:

Panel with both sides with convex section, thickness 36 mm, consisting of an internal padding in variable density polyester fiber, decreasing towards the heart of the panel, covered on both sides with Trevira CS® polyester fabric, solidly applied to the padding. The panel is double-sided, with the same characteristics on both sides and is characterized by the rigid edge obtained by processing the panel itself, without the presence of any support frame and stiffening.

The panel has **Euroclass B-s2, d0** fire reaction.

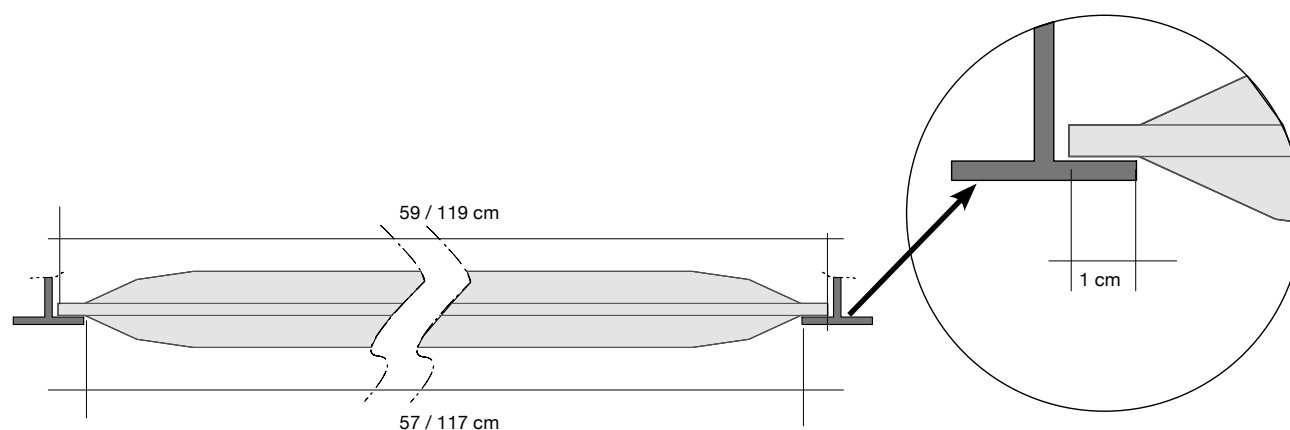
The panel is certified **Greenguard Gold**, which validates its characteristics of low emission of VOCs and its contribution to the quality of the indoor environment.

The panel is **100% recyclable** and has a formaldehyde content not detectable according to UNI EN 717-2 standard, does not contain felts or other materials of organic origin difficult to recycle.

The panel has been tested in a reverberation chamber according to UNI EN ISO 354 standard and has “**Acoustic Absorption Class A**”, in accordance with UNI EN ISO 11654 standard.

Panel dimensions:      59x59 cm  
                                 119x59 cm

The products described in this data sheet bear the **CE marking** in accordance with the harmonised product standard EN 13964 for use as a suspended ceiling.



Available colours:

6046



Light blue

1008



Beige

8007



Dark grey

4030



Carrot orange

4027



Red

8004



Silver grey

7004



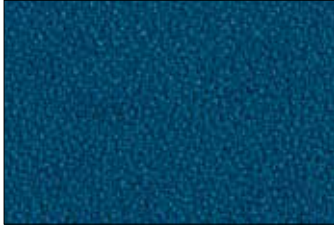
Light green

3008



Sun yellow

6075



Teal

0001



White



Caimi Brevetti S.p.A. reserves, by its unappealable judgment, the right to modify without prior notice the building materials, the technical and aesthetic specifications, as well as the dimensions of the products in this technical sheet, where pictures are purely as an indication.