



BuildUp Pods & Pavilions



GLIMAKRA
OF SWEDEN



Introducing BuildUp Pods & Pavilions

BuildUp Pods & Pavilions is a collection of large-scale, acoustic meeting rooms. A concept characterized by openness, functionality and accessibility – with a mission to create inviting meeting places, and to divide large interiors. Developed by Glimakra of Sweden, designed by Kauppi & Kauppi design studio.

The fabric covered wall elements have an equally good sound absorption on both insides and outsides, which means that the pods also serve as an effective acoustic solution for the surrounding interior. The walls acoustic task is to reduce reverberation time, to achieve pleasant sound atmospheres. All units have a self-supporting construction - easy to build, install or relocate if needed.

The first launch of BuildUp Meeting Pods & Pavilions includes three pods in different sizes, as well as a fully open pavilion. A round room for 4-6 people meetings (10 m), a medium-sized oval room for group meetings of 8-10 people (17 m) and a large oval room for meetings of 12-14 people (20 m). The space dividing semi-circular open pavilion is well suited for informal touch down meetings or gatherings.





Design vision

When the Swedish design studio Kauppi & Kauppi was asked to give their answer to a brief requesting "a new generation of dynamic freestanding meeting pods" for Glimakra of Sweden, they turned to the forest for inspiration.

"Imagine a forest glade embraced by trees. A muted restful place, which is however never completely quiet. We have carried the forest with us as an inspiration during the entire design process. The vision has been to design welcoming, comfortable meeting rooms, that neither close in nor excludes. Rooms that offer focus but not necessarily total quietness. Interiors natural to share with others." – Kauppi & Kauppi

The ideas grew into the concept BuildUp Pods & Pavilions. A totally new range of products positioning somewhere between architecture and furniture. Large-scale mobile meeting rooms, re-imagining the archetype of a common pod – a design where the spatial experience has been valued as highly as the acoustic qualities. Open, airy spaces where inclusiveness is key.

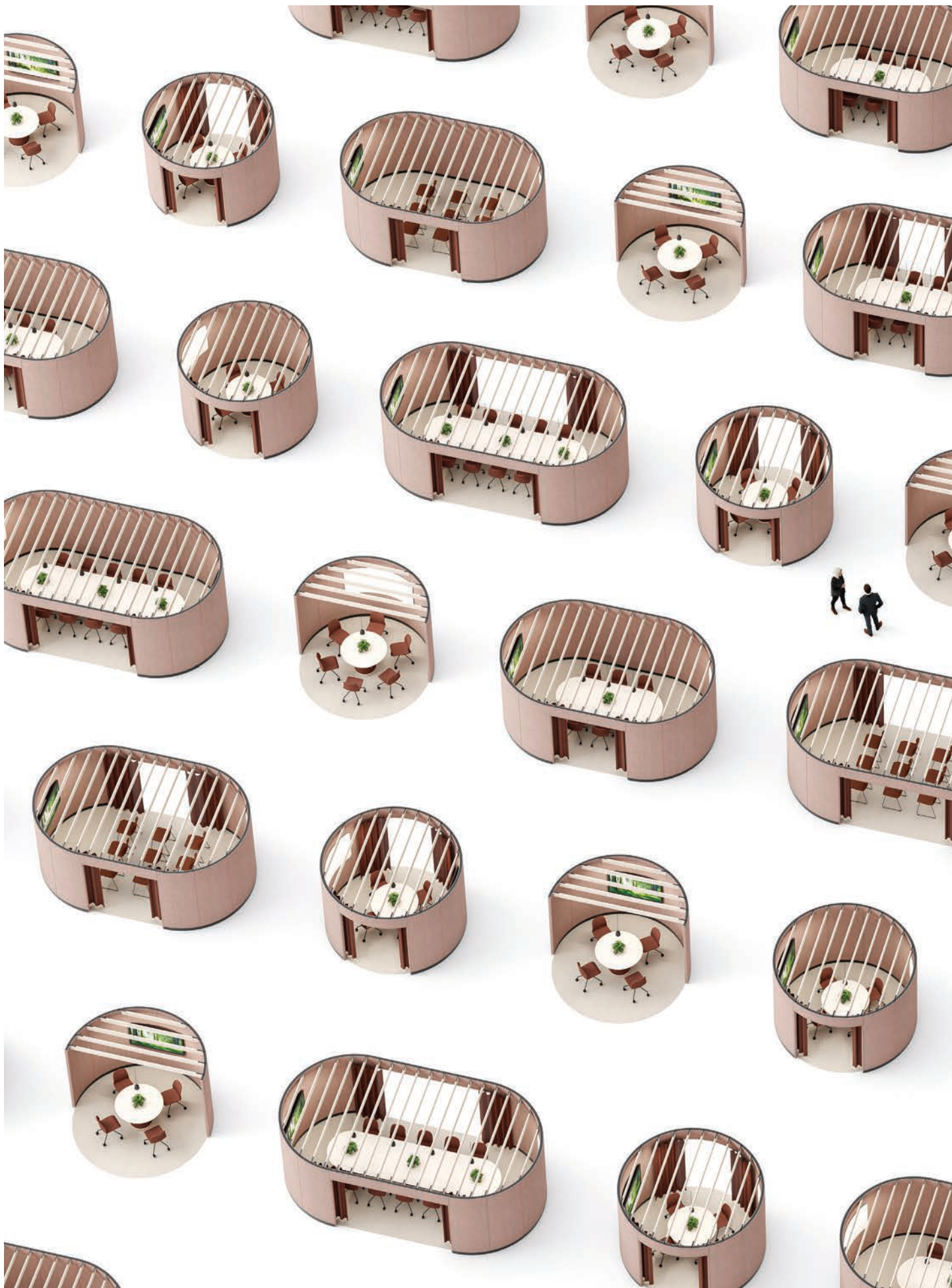


An efficient acoustic solution

The wall elements are made from 80 mm acoustic panels and have an equally good sound absorption on both insides and outsides. Which means that the muted meeting rooms also serve as an effective acoustic solution for the interiors surrounding the pods. The textile covered walls acoustic task is to reduce reverberation time - rather than to achieve completely silent settings.

The overall concept has a modest expression, making the pods well suited as space definers and dividers in large interiors such as office landscapes. The restrained design with no visible screws or cables, allows the pods to blend in elegantly in all kinds of interiors. The Pods & Pavilions can be upholstered in a broad variety of fabrics and colours.

The BuildUp Pods & Pavilions meets the requirements for environment and responsible supply chains defined by Swedish Möbelfakta. Producer Glimakra of Sweden AB is certified according to ISO 9001:2015 and ISO 14001:2015. Produced in 100% recyclable materials in south Sweden.







Airy & openness

Daylight, or lighting from the larger interior, is filtered into the pods through the wooden ceiling beams and preserves a connection with the surrounding. To provide the pod rooms with comfortable basic lighting, the short ends are equipped with glare-free lighting. Complementary lighting above tables can easily be installed, suspended from the ceiling beams or through the gaps between the beams from the external ceiling. If the building has a sprinkler system, it will function over the pods and pavilions, since the pod roofs are all open beams.

"Our ambition was to design a spatial experience to long for. We wanted the pods to be friendly and cosy characters, functioning as architectural furniture. At the same time, several technical solutions, features and needs had to be integrated into the design, to make the rooms functional, flexible and creative." – Kauppi & Kauppi



Details & integrated technology

The meeting pods are equipped with a curved custom-made magnetic writing board that follows the shape of the room. The opposite wall is prepared with a flexible monitor bracket, power outlets and AV input. All wall segments have a metal plinth for easy cable and technology routing, as well as placements of easily accessible electrical outlets.

Depending on the situation or location, the pods & pavilions can be furnished for meetings with tables and chairs. They may also be used for lectures or video screening in exhibition spaces with repeated seatings arranged in audience rows.



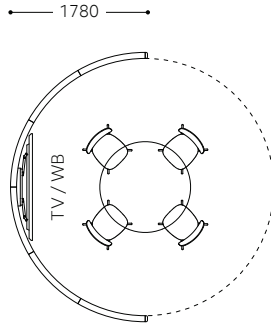
Mobility & flexibility

All BuildUp units have a self-supporting construction - no floor, wall or ceiling attachments are necessary. The pods and pavilions are easy to build, install and to move if a new location is desired. Adjustable feet are included to compensate for uneven floors. All elements are prepared and ready to be easily mounted together on site. A specially designed attachment mechanism is developed, only an Allen key and a screwdriver is required.

The low weight of each element and the reasonable size admits easy logistics and handling – and with an average installation time of approximately 2 hours for 2 persons + a qualified electrician. The pods & pavilions great installation flexibility and free-standing character, allows the spaces to be rearranged in an adaptable manner without compromising the demand for a high-quality spatial experience.

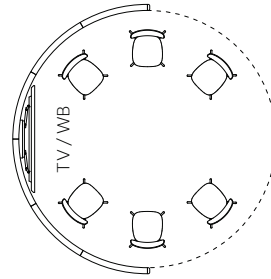


3560



BuildUp Pavilion | R4

4-6 people / Total area 5 m²
MEETING

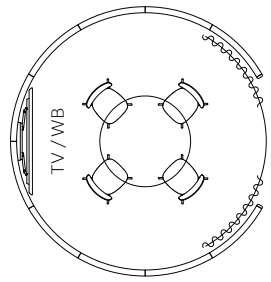


BuildUp Pavilion | R4

4-6 people / Total area 5 m²
AUDIENCE

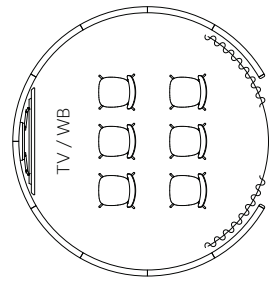


3560



BuildUp Pod | R4

4-6 people / Total area 10 m²
MEETING

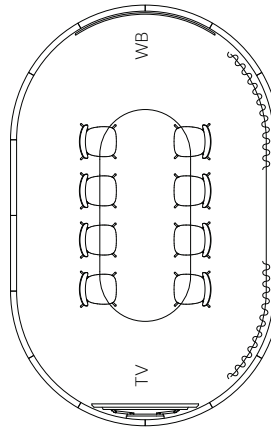


BuildUp Pod | R4

4-6 people / Total area 10 m²
AUDIENCE

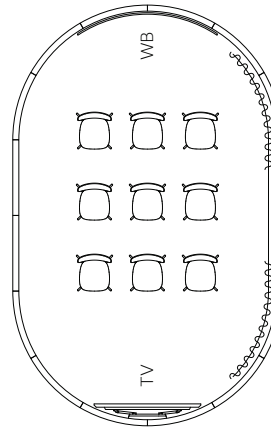


5560



BuildUp Pod | R8

6-8 people / Total area 17 m²
MEETING

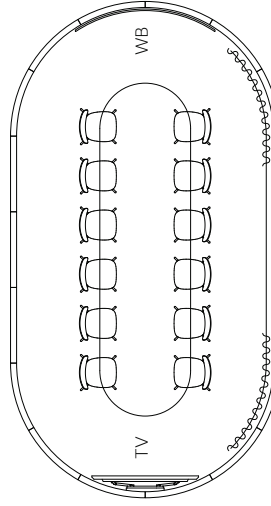


BuildUp Pod | R8

6-8 people / Total area 17 m²
AUDIENCE

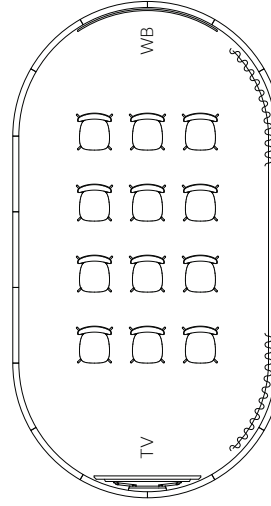


6560



BuildUp Pod | R12

10-12 people / Total area 20 m²
MEETING



BuildUp Pod | R12

10-12 people / Total area 20 m²
AUDIENCE



New members in the BuildUp Pods family

The rounded shaped BuildUp Pod (3 m) is offered in two different configurations. The Coupé version is designed to host work sessions or informal meetings for two persons or more, with facing sofas and a centered pillar table. BuildUp Pod Work edition is prepared for one person in need of a private space, furnished with both a desk and a sofa for reading and recreational pauses.

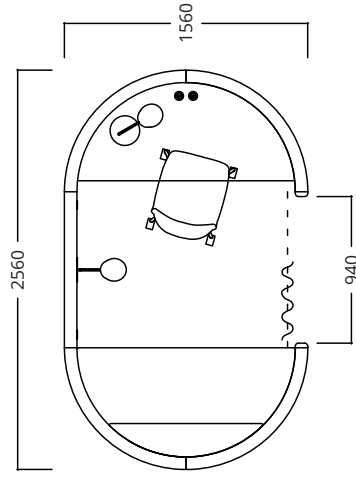
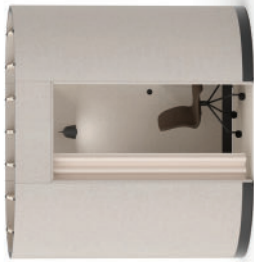
As the name suggests, the round BuildUp Pod (1,4 m) is intended for one individual in demand for a small personal corner.

Available with either a work desk or a comfortable sofa - providing a calm, semi-muted space without visual distraction. All BuildUp Pods can also be delivered as empty rooms, ready to be custom furnished by architects. All pods have generous entrances without thresholds that closes with curtains. The spaces are pleasantly lit by integrated LED light-strips between the wooden ceiling beams, combined with additional lighting on wall or table. Conveniently placed power outlets makes it easy for users to plug in various devices.

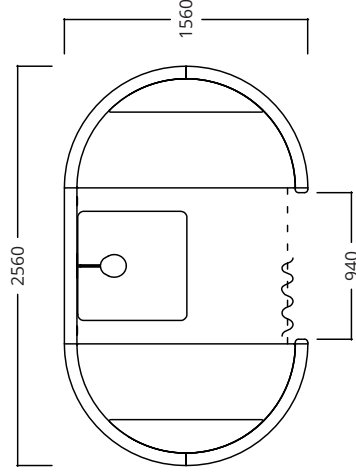
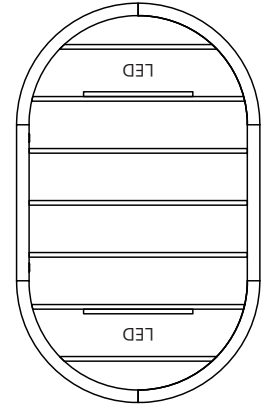
The fabric covered wall elements have equally good sound absorption on the inside as on the outside, which means that the pods also serve as an efficient acoustic solution for the greater surrounding interior.



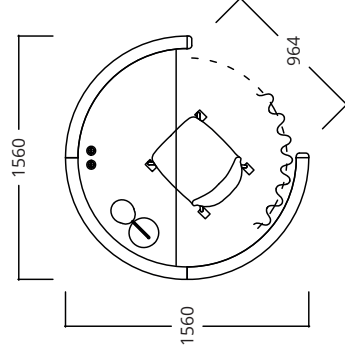
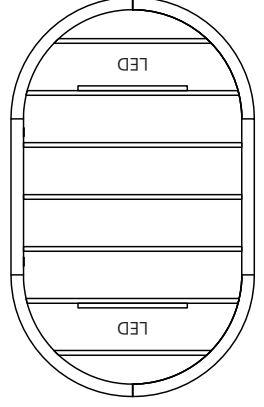




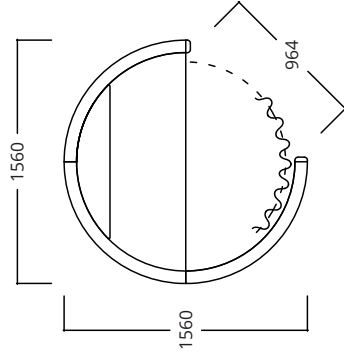
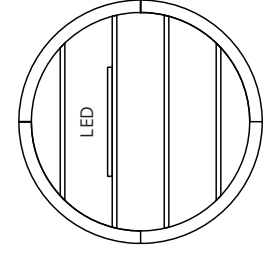
BuildUp Pod R2 - Work
3 m² / 1-4 Persons



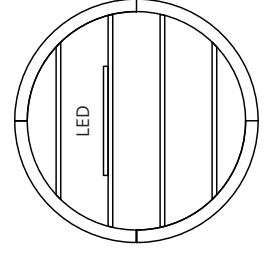
BuildUp Pod R2 - Coupé
3 m² / 1- 4 Persons

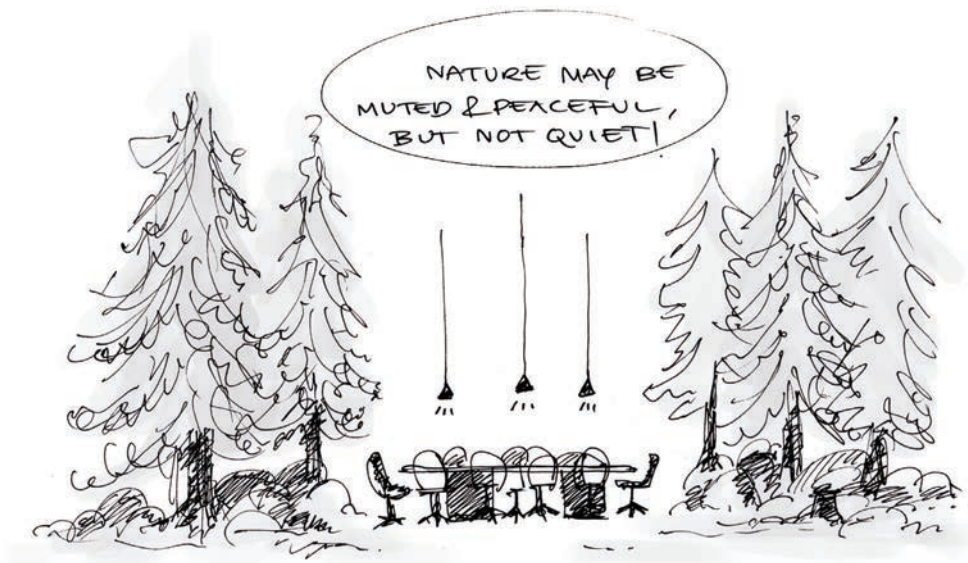


BuildUp Pod R1 - Work
1.4 m² / 1-2 Persons



BuildUp Pod R1 -Read
1.4 m² / 1-2 Persons





**GLIMAKRA
OF SWEDEN**

www.glimakra.com